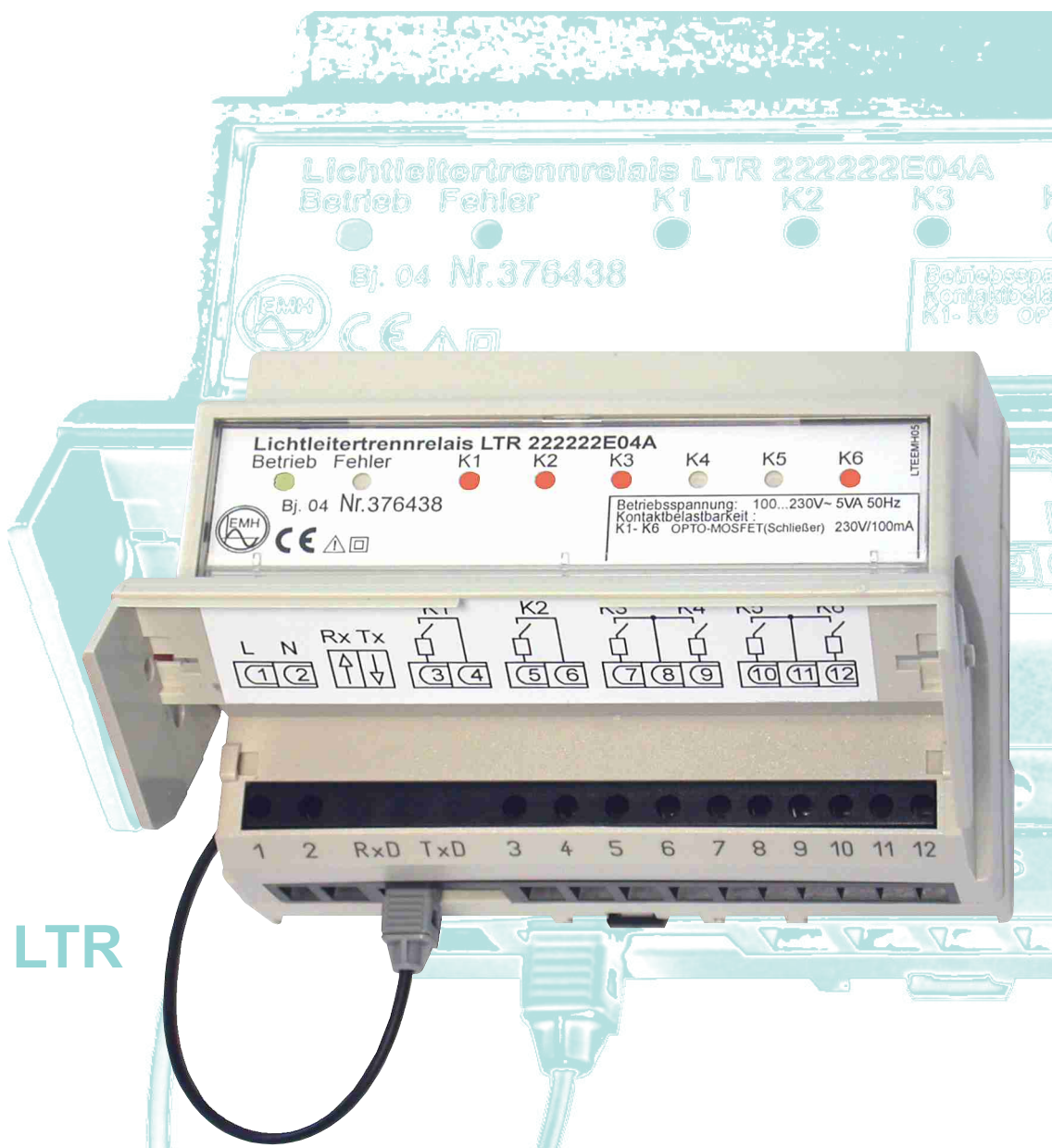
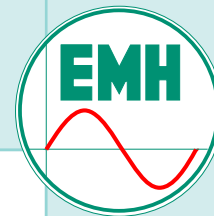


Technical Specification



LTR

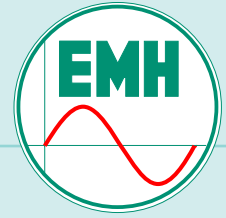
Electronic Optical Fibre Separation Box

EMH Elektrizitätszähler
GmbH & Co KG

Südring 5
D-19243 Wittenburg

Tel. +49-(0)3 88 52-645-0
Fax +49-(0)3 88 52-645-29

Email info@emh-meter.de
Internet www.emh-meter.de



Optical Fibre Separation Box LTR

The Optical Fibre Separation Box replaces the classical separation relay and generates via optical fibre cable

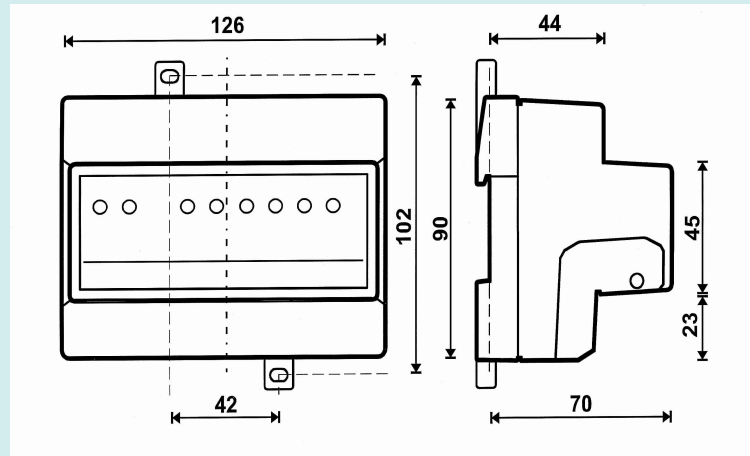
- Energy impulses
- Synchronization signals
- Tariff- and Maximum outputs

from optical fibre interfaces of

- 4-Quadrant-/Combi Meter
- Digital Multi-Tariff Meter
- Multifunctional Summator/Tariff Device

Special features

- DIN-Rail mounting accord. to EN 50022
- Decoupled from the controlling meter (potential separation, non-interacting)
- Simple installation, due to minimization of wiring expenditure (only one optical fibre cable, pluggable)
- Flexible due to long range power supply
- 6 output contacts, optional/mixed as an Opto-MOSFET (make contact, break contact) or as a relay (e.g. make contact, opening function can be performed by software)
- Cascadable, i.e. several optical fibre separation boxes can be connected in sequence
- LEDs for the display of
 - Status of the output contacts
 - Transmission errors
 - Operating voltage check
- Contact protective circuit against free-wheeling voltages



Technical Specification	
Operating voltage (+/-20%)	100 ... 230 V AC
Power consumption	< 2 VA
Frequency	50 Hz (± 10%)
Mains buffering	> 200 ms
Input	for the connection of an optical fibre cable of up to 20 m length between energy meter and LTR-Box
Output	for the connection of an optical fibre cable of up to 50 m length between two LTR-Boxes
Output contacts	up to 6, optional/mixed as Opto-MOSFET: 12...250 V AC/DC, 0.1 A or relays: 250 VAC, 1 A / 60 V DC, 1 A contact protective circuit (optional)
Operating cycles	relays: 5×10^7 cycles
Temperature range	operate -20°C...+60°C storage -40°C...+70°C
Surge voltage test	6 kV, 1.2/50 µs
Degree of protection	housing IP 51 terminals IP 20
Dimensions	126 x 90 x 70 (W x H x D) mm ± 7 TE (housing and terminal cover can be sealed)
Weight	approx. 0.4 kg

Product specifications are subject to change without notice!

