

# SAFETY SHUT-OFF VALVES

## Series SVB...

ECONEX SVB gas safety shut-off valves are equipped with a new concept powerful solenoid which provides higher operating pressures and flow capacities than most comparable valves now available.

The SVB valves with **CE** Product - I D - Number are approved to EN161. The EMC compatibility has also been certified. They are particularly suitable for both manual and automatic control of gases belonging to the first, second and third family and of air.

They are suitable to be installed on industrial, atmospheric and forced draught burners.



### TECHNICAL FEATURES

Valve body	: brass	Standard supply voltage	: 230V A.C.
Trim	: stainless steel	On request	: 110V A.C. 24V A.C.
Seat disc	: Buna "N"	Frequency	: 50/60 Hz
Pipe connections	: Rp 3/8 and Rp 1/2 according to ISO 7-1	Rating	: 18 VA and 22 VA
Orifice diameter	: 8 to 13 mm	Connector	: DIN 43650-A (ISO 4400) Pg 11 with rectifier
Inlet pressure	: up to 1 bar (see table)	Cable inlet	: adjustable 90° by 90°
Opening/closing time	: < 1 second	Enclosure	: IP 65-IEC 529
Ambient temp. range	: - 10 to + 60 °C	Duty Cycle	: continuous

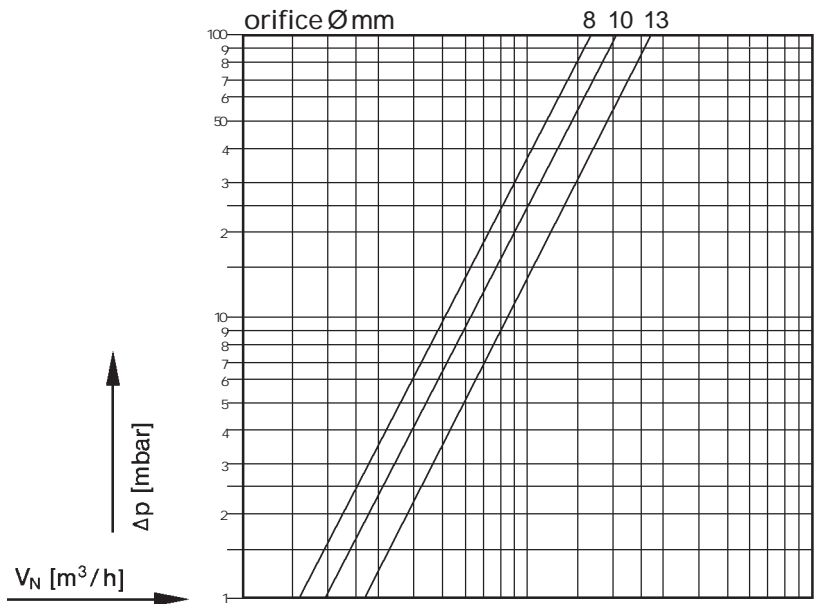
### FEATURES

- Class A or B.
- Normally closed operation.
- Quick opening/closing.
- Installation in any position (see installation instructions).
- Quiet operation.
- Coil moulded resin.
- Coil in direct current with rectifier inside the plug connector.

SIZE		CLASS	KV's	Max. operating pressure differential (mbar)	Current load rating (VA)	Coil type	Model 230V-A.C. 50/60Hz
Pipe (Rp)	Orifice Ø mm						
3/8	8	A	1,73	1000	22	A01	SVB08C09A01
3/8	8	A	1,73	360	18	P01	SVB08C09P01
1/2	8	B	1,73	600	18	P01	SVB08C15P01
1/2	10	A	2,10	1000	22	A01	SVB10C15A01
1/2	10	B	2,10	250	18	P01	SVB10C15P01
1/2	13	A	2,83	200	22	A01	SVB13C15A01

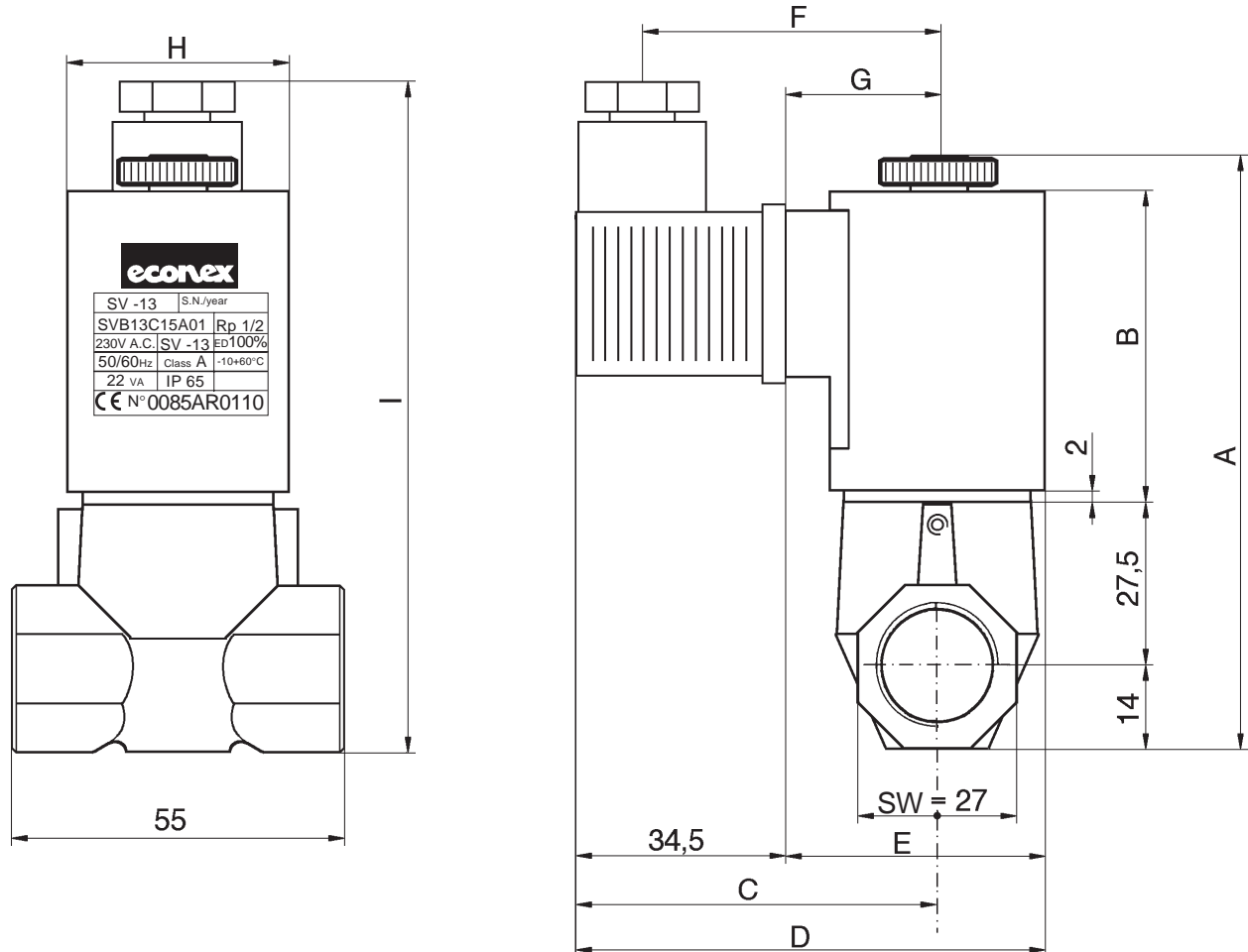
P.S.: in the model description replace the VI letter with B for 110V A.C. 50/60Hz and with A for 24V A.C. 50/60Hz

## FLOW CHART



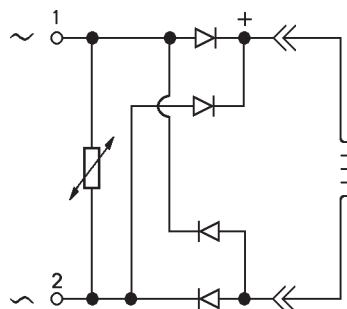
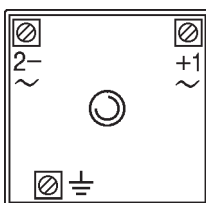
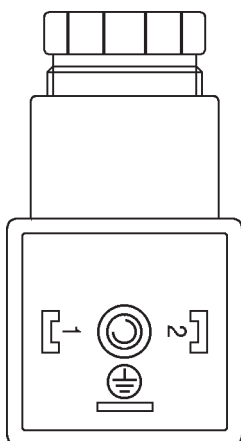
Air	dv = 1	1 2 3 4 5 6 7 8 9 10 2 3 4 50 6 7 8 9 100
Natural gas	dv = 0,64	2 3 4 5 6 7 8 9 10 2 3 4 50 6 7 8 9 100
Towngas	dv = 0,45	2 3 4 5 6 7 8 9 10 2 3 4 50 6 7 8 9 100
Propane	dv = 1,56	1 2 3 4 5 6 7 8 9 10 2 3 4 50 6 7
Butane	dv = 2,04	1 2 3 4 5 6 7 8 9 10 2 3 4 50 6 7
L.P.G.	dv = 1,70	1 2 3 4 5 6 7 8 9 10 2 3 4 50 6 7

## DIMENSIONS (mm)



SIZE		DIMENSIONS									Weight (kg)	Model 230V A.C. 50/60Hz
Pipe (Rp)	Orifice Ø mm	A	B	C	D	E	F	G	H	I		
3/8	8	99	52	60,5	79	44,5	48,0	26,0	37,0	115	0,6	SVB08C09A01
3/8	8	81	34	54,0	70	35,5	41,5	19,5	32,5	97	0,5	SVB08C09P01
1/2	8	81	34	54,0	70	35,5	41,5	19,5	32,5	97	0,5	SVB08C15P01
1/2	10	99	52	60,5	79	44,5	48,0	26,0	37,0	115	0,6	SVB10C15A01
1/2	10	81	34	54,0	70	35,5	41,5	19,5	32,5	97	0,5	SVB10C15P01
1/2	13	99	52	60,5	79	44,5	48,0	26,0	37,0	115	0,6	SVB13C15A01

## WIRING DIAGRAM



### **WARNING**

**PLEASE READ THE OPERATING INSTRUCTIONS BEFORE USE ! THIS EQUIPMENT MUST BE INSTALLED ACCORDING TO THE PRESCRIPTIONS IN FORCE!**

### INSTALLATION AND OPERATING INSTRUCTIONS

1. Make sure that all operating data indicated on the safety shut-off valve label correspond to those of the system.
2. Remove the protection plugs from the safety shut-off valve.
3. Before installing the safety shut-off valve make sure that the pipeline is free from impurities and perfectly aligned with the valve body. The pipeline must be vibration-free.
4. The sealing material must be applied to the external thread of the pipeline only and not to the internal thread of the safety shut-off valve.
5. The flow direction indicated by the arrow on the valve body must be respected.
6. The safety shut-off valve can be installed either horizontally or vertically, provided that the coil is not turned downwards.
7. For installing the safety shut-off valve on the pipeline **do not use the magnet as a lever**, but the proper wrench.
8. The equipment is maintenance-free.

All reported data are subject to be changed without notice.



Via F. De Sanctis, 53 - I - 20141 MILANO - Tel. +39 0289502912 - Fax. +39 028463084 - E-mail: econex@tin.it - www.econex.it